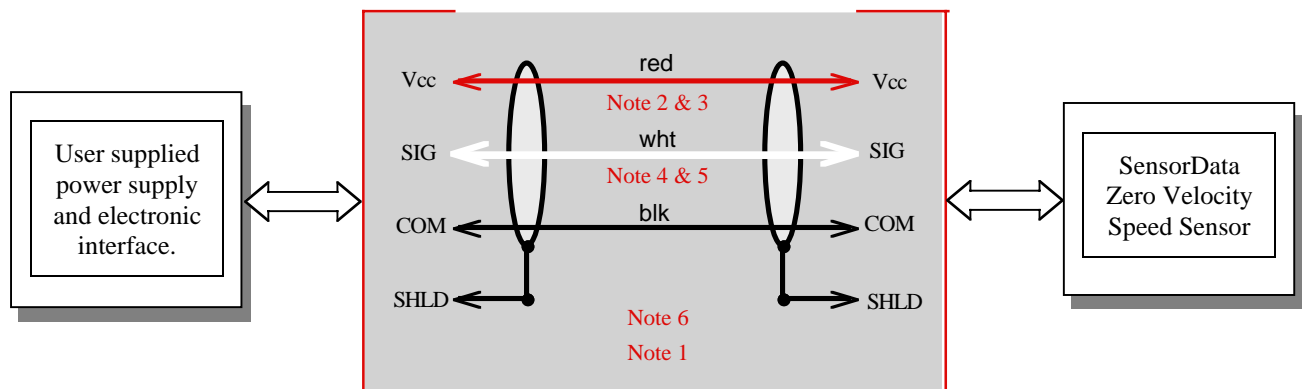


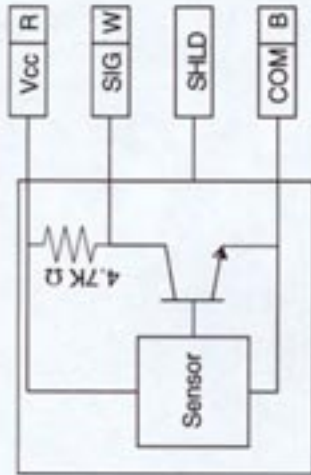
INTERCONNECTING CABLE ASSEMBLY

User Supplied Power Supply and Electronic Interface to Zero Velocity Speed Sensor Supplied as an Option with SensorData Rotating Torque Sensors

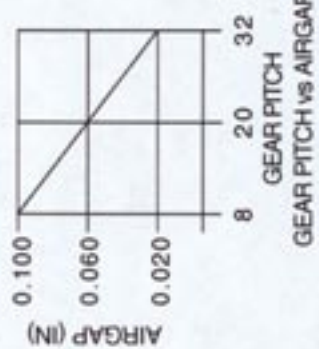


Notes

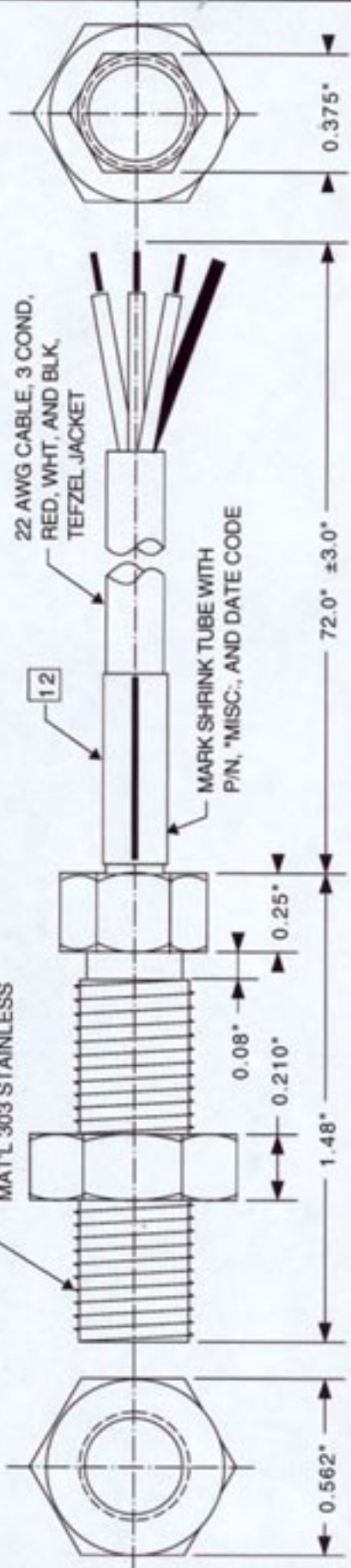
- 1) Zero Velocity Speed Sensor Integral Cable Assembly: 6-ft \pm 3 in, color coded, shielded, leads stripped and tinned electronic interface end.
- 2) Input Voltage, Vcc: \pm 4.5 VDC to 24 VDC
- 3) Input Current, Icc: 10 mA typ, 20 mA maximum.
- 4) Output is an open collector NPN transistor with internal 4.7K ohm pull-up resistor.
- 5) Output Current: 20 mA maximum sinking.
- 6) For additional information refer to SensorData drawing A2101-1005 on the reverse side of this page.



SCHEMATIC



GEAR PITCH vs AIRGAP



SPECIFICATIONS

1. INPUT VOLTAGE, Vcc: +4.5 Vcc TO 24 VDC.
2. INPUT CURRENT, Icc: 10 mA TYP, 20 mA MAX.
3. OUTPUT: OUTPUT IS AN OPEN COLLECTOR NPN WITH INTERNAL 4.7K OHM PULL UP.
4. OUTPUT CURRENT: 20 mA MAX SINKING.
5. TARGET WHEEL: 10 PITCH, FERROUS, .150 X .150 TOOTH.
6. SPEED RANGE: 0-10,000 R.P.M. (FOR ≤5.00)
7. AIRGAP: SEE GRAPH, INSPECT AT .110.
8. OPERATING TEMPERATURE: -20°C TO +140°C.
9. VIBRATION: 5G, 10-2,000 Hz
10. HUMIDITY, STEADY STATE: 95% RH WITH CONDENSATION.
11. DIELECTRIC STRENGTH: VRMS
12. THE PROBE ROTATIONAL MARK MUST POINT IN THE PLANE OF THE GEAR. GEAR ROTATION CAUSING TEETH TO ADVANCE TOWARD THE REFERENCE MARK TO BE REFERRED TO AS THE FORWARD DIRECTION OF ROTATION.

NOTICE TO RECIPIENTS OF THIS DRAWING AND/OR TECHNICAL INFORMATION
 SensorData claims proprietary rights to the material disclosed hereon. This drawing and/or information is used in confidence for engineering information only and may not be reproduced or used to manufacture anything shown or referred to hereon without direct written permission from SensorData Inc. to the user. This drawing and/or information is the property of SensorData, and is loaned for assistance, to be returned when its purpose has been served.

TOLERANCES

x.xx = ±.010 x.xxx = ±.005 angles = ±30° holes = +.007
 All dimensions in inches. Deburr all sharp edges. Surface finish 125

Date: 07-30-04	SENSOR DATA	Scale: 1: 1
Revised:		Model:
Title: Zero Velocity Speed Sensor		Drawing No. A2101-1005
		Rev