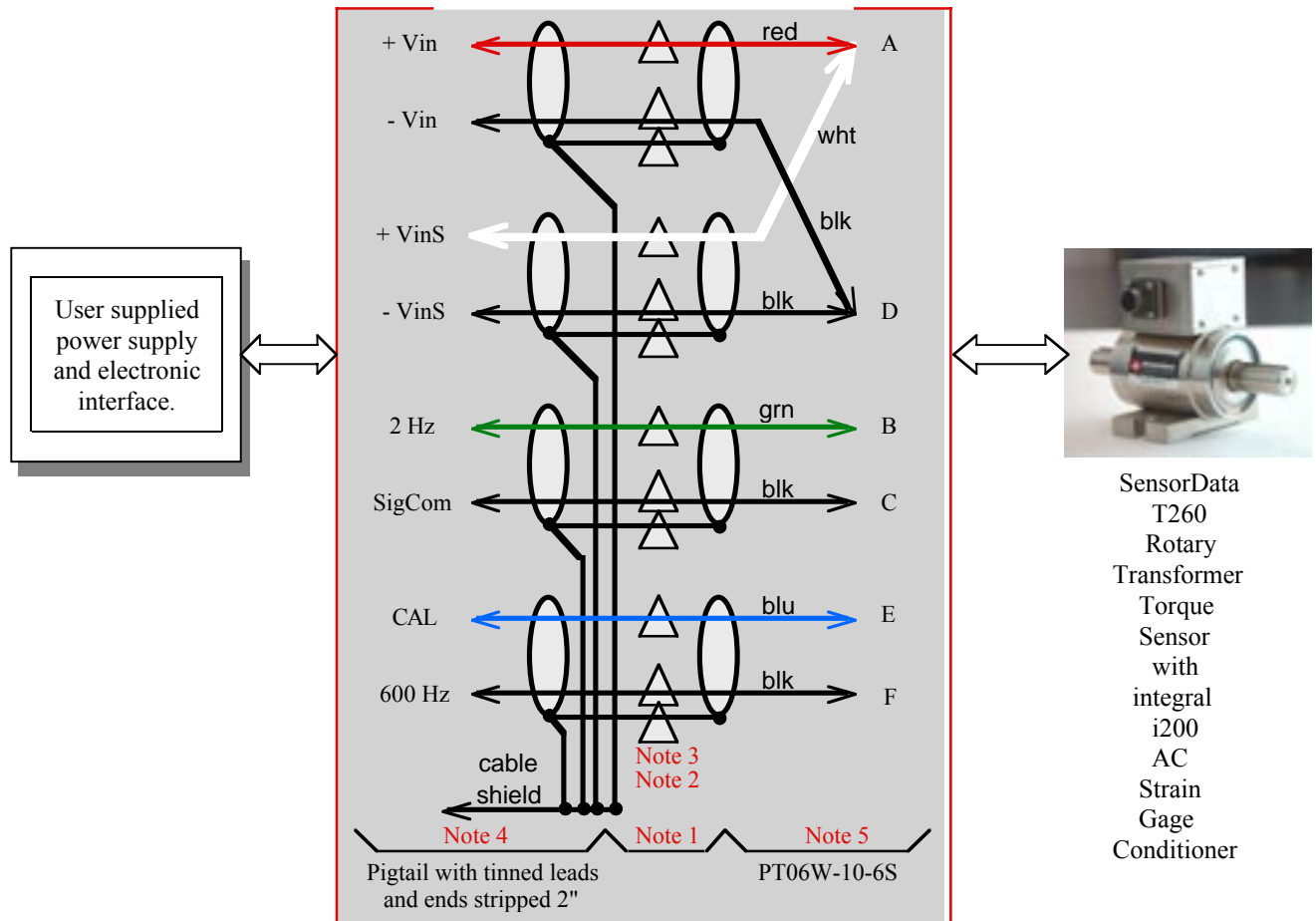


INTERCONNECTING CABLE ASSEMBLY

User Supplied Power Supply and Electronic Interface to SensorData i200 that is Integral to SensorData Rotary Transformer Torque Sensors; Models T2xx-1xx-Capacity-A



Notes

- 1) Alpha Cable #58604 with 4 pairs of color-coded cable. Each pair individually shielded. Each pair isolated by shrink tubing except at connections.
- 2) Location of optional junction box. Individual isolated connections; Δ
- 3) Other (power) connections made at this location must be made inside their own junction box.
- 4) To customer supplied power supply and electronic interface. To avoid ground loops do not earth -Vin, -VinS, or SigCom.
- 5) Mates with PT02E-10-6P receptacle on i200 AC Strain Gage Conditioner.