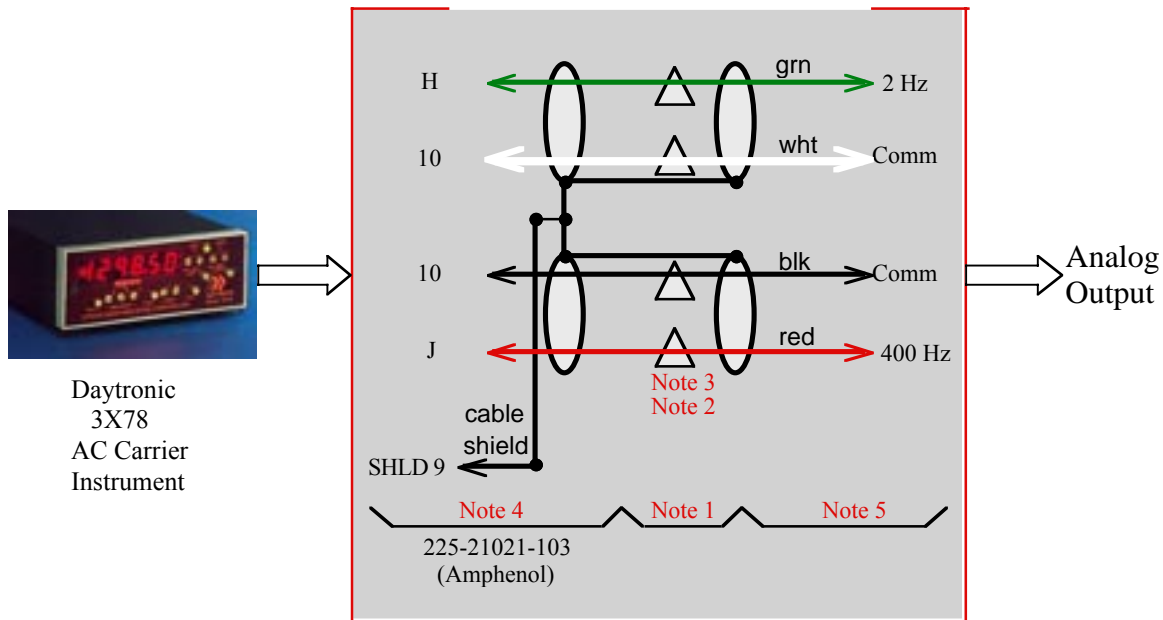


INTERCONNECTING CABLE ASSEMBLY

Daytronic 3X78 AC Carrier Instrument with Circuit Board Edge Connector to Analog Output



Notes

- 1) Belden Cable #8723 with 2 shielded pairs of color-coded cable.
- 2) Location of optional junction box. Individual isolated connections; Δ
- 3) Other (power) connections made at this location must be made inside their own junction box.
- 4) Mates with 3X78 circuit board edge connector.
- 5) Analog signal output. Leads stripped and tinned.