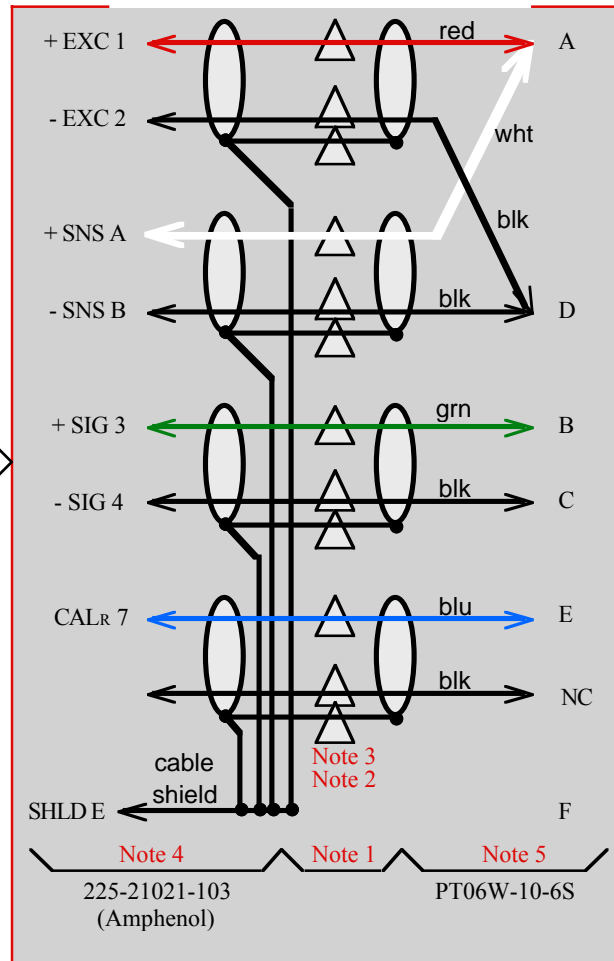


## INTERCONNECTING CABLE ASSEMBLY

Daytronic 3X78 AC Carrier Instrument with Circuit Board Edge Connector to SensorData WRC Rotary Transformer Torque Sensor



Daytronic  
3X78  
AC Carrier  
Instrument



SensorData  
T231  
Rotary  
Transformer  
Torque  
Sensor

### Notes

- 1) Alpha Cable #58604 with 4 pairs of color-coded cable. Each pair individually shielded. Each pair isolated by shrink tubing except at pin E.
- 2) Location of optional junction box. Individual isolated connections; Δ
- 3) Other (power) connections made at this location must be made inside their own junction box.
- 4) Mates with 3X78 circuit board edge connector.
- 5) Mates with WRC – RT sensor with PT02E-10-6P receptacle.