



F654-110 with MS type receptacle

- *Resistant to the effects of bending and off-center loading*
- *Tension & compression operation*
- *4.5" overall height & 1.5" overall diameter*
- *1-14 UNF-2A & 1-14 UNF-2B threads*
- *SAE 4340 alloy steel construction with satin nickel finish*
- *Supplied with mating connector*

The F654 is designed for use in-line with hydraulic actuators. The F654 sensing element has proved, in actual tests, to be highly resistant to the effects of bending and off-center loading. The F654 is mechanically interchangeable with competitor's products and is compatible with AC Carrier and DC strain gage signal conditioning electronics.

Specifications

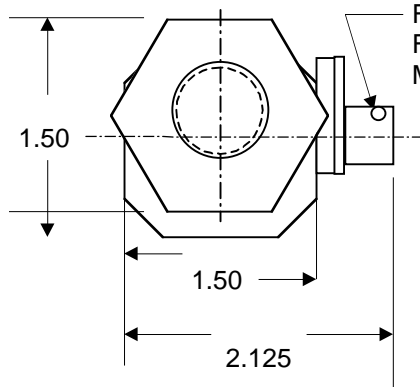
(Subject to change without notice)

Rated Capacity	5K, 10K, 15K, 20K, 25K lbs
Nonlinearly	0.25% of rated output
Hysteresis	0.15% of rated output
Nonrepeatability	0.05% of rated output
Rated Output, typical	2 mV/V
Zero Balance	+/-1% of rated output
Temperature Range, operating	-65 to +200 F
Temperature Range, compensated	+70 to +170 F
Temperature Effect on Output	0.002% of load/F
Temperature Effect on Zero	0.002% of rated output/F
Input Impedance, minimum	380 ohms
Output Impedance	350 +/-3.5 ohms
Excitation Voltage, typical	10 VDC or VAC rms
Excitation Voltage, maximum ⁽¹⁾	20 VDC or VAC rms
Insulation Resistance	>5000 megohms at 50 VDC
Maximum Load, safe ⁽²⁾	150% of rated capacity
Maximum Load, ultimate ⁽³⁾	300% of rated capacity
Deflection at Rated Capacity, typical	0.003 in
Fatigue rating, full fatigue tension to full fatigue compression	10 ⁸ cycles
Number of Bridges	1
Weight, lbs	1.5
Construction	SAE 4340 alloy steel with satin nickel finish

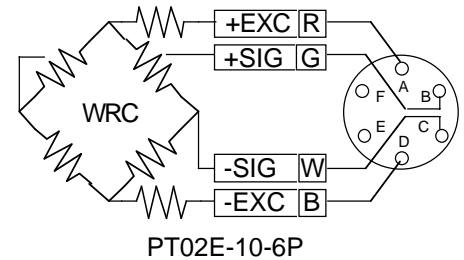
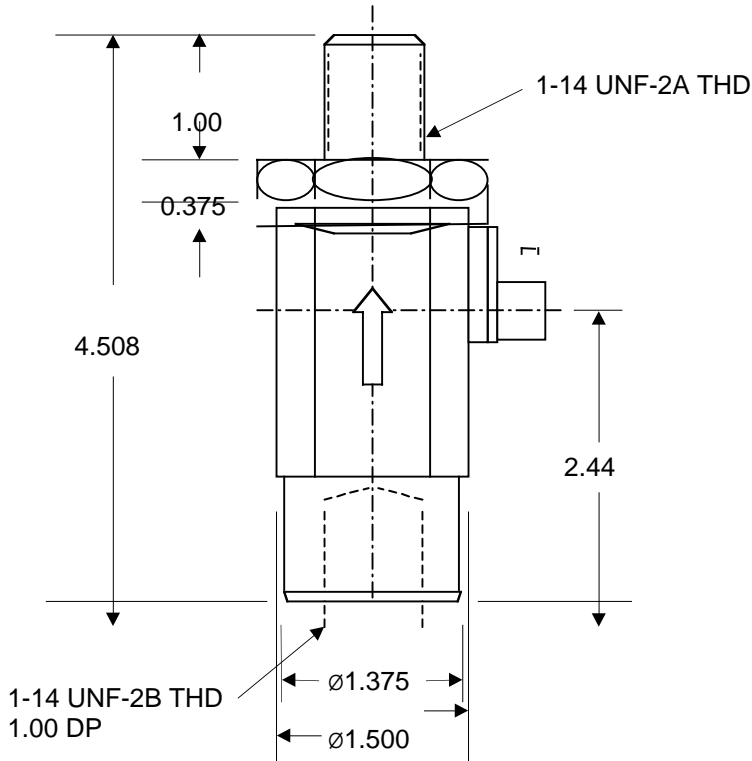
⁽¹⁾ Temperature gradients caused by higher excitation voltages may effect performance.

⁽²⁾ With load centered, maximum load that can be applied without producing a permanent shift in performance characteristics.

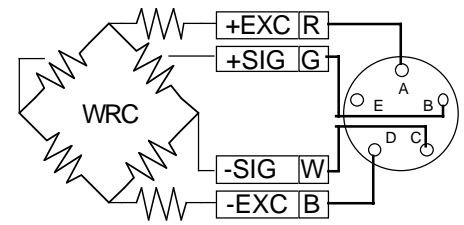
⁽³⁾ With load centered, maximum load that can be applied without physical damage.



F654-106 with PTO2E-10-6P receptacle standard
F654-110 with MS-3102E-14S-5P receptacle optional
Mating connector supplied



PTO2E-10-6P



MS3102E-14S-5P (Optional)

ORDERING INFORMATION

- F654-106-Capacity Standard supplied with PTO2E-10-6P receptacle and mating connector.
- F654-110-Capacity Same as F654-106 except supplied with MS-3102-14S-5P receptacle and mating connector.
- Cable Assembly Optional; 10 ft, color coded, shielded, mating connector sensor end, customer supplied connector instrument end.
- Cable Assembly Optional; 10 ft, color coded, shielded, mating connector sensor end, leads stripped and tinned instrument end.

IMPORTANT NOTICE

Dimensions above are in inches unless otherwise noted. Manufacturer not responsible for any modification to product, fixtures, or accessories made by user or third party. User should request certified drawings before designing mountings or fixtures. Manufacturer reserves right to modify or change design, dimensions, specifications, and features of this product without prior written notice. Changes to NOTICE must be in writing and accepted by manufacturer.