



- *Thru-hole design*
- *Height 2 inches and diameter 4 inches*
- *Nonlinearity & hysteresis 0.15%*
- *Deflection less than 0.002 inches*
- *SAE 4340 alloy steel construction with satin nickel finish*
- *Supplied with mating connector*

The F502 is a hollow compression load cell used for press calibration; bolt force measurements; material testing applications; civil engineering projects; rolling and reduction mill applications; and suspension weighing. The F502 can be mounted on flat surfaces; with leg mounts passing through the hollow center; over studs and bolts; or with the load applied to the top surface of the load cell by suspending the weight through the load cell's hollow center. The F502 can be used with AC carrier and DC strain gage signal conditioning electronics. Interconnecting cable assemblies are available as an option. SensorData will provide in-house calibration of the F502 with customer-supplied electronics for a fee.

Specifications

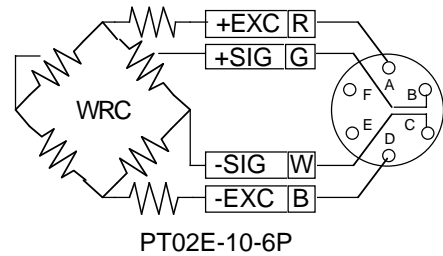
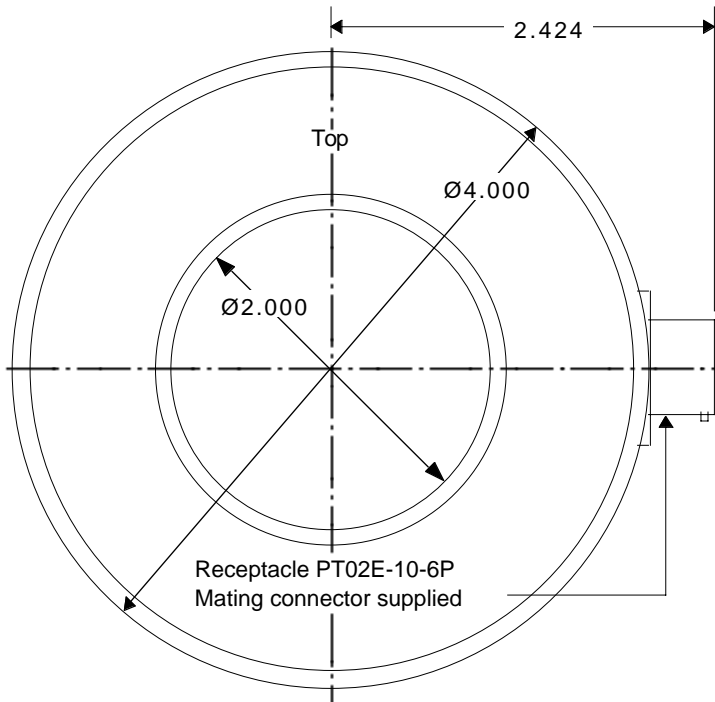
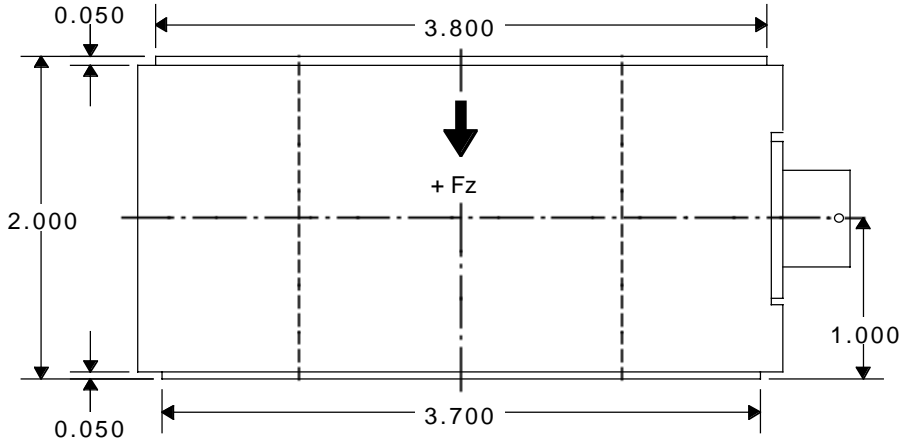
(Subject to change without notice)

Rated Capacity	5K, 10K, 20K, 25K, 50K, 100K lbs
Nonlinearity	0.15% of rated output
Hysteresis	0.15% of rated output
Nonrepeatability	0.05% of rated output
Rated Output, typical	2 mV/V
Zero Balance	+/-1% of rated output
Temperature Range, operating	-65 to +200 F
Temperature Range, compensated	+70 to +170 F
Temperature Effect on Output	0.002% of load/F
Temperature Effect on Zero	0.002% of rated output/F
Input Impedance, minimum	750 ohms
Output Impedance	700 +/-5 ohms
Excitation Voltage, typical	10 VDC or VAC rms
Excitation Voltage, maximum ⁽¹⁾	20 VDC or VAC rms
Insulation Resistance	>5000 megohms at 50 VDC
Maximum Load, safe ⁽²⁾	150% of rated capacity
Maximum Load, ultimate ⁽³⁾	300% of rated capacity
Deflection at Rated Capacity, typical	0.002 in
Number of Bridges	1, 2 nd bridge optional
Weight	4.2 lb
Construction	SAE 4340 alloy steel with satin nickel finish

⁽¹⁾ Temperature gradients caused by higher excitation voltages may effect performance.

⁽²⁾ With load centered, maximum load that can be applied without producing a permanent shift in performance characteristics.

⁽³⁾ With load centered, maximum load that can be applied without physical damage.



ORDERING INFORMATION

- F502-STD-Capacity Standard, capacity 5K, 10K, 20K, 25K, 50K, 100K lb, with PT02E-10-6P receptacle and mating connector.
- F502-STD-Capacity-DB Same as F502-STD-Capacity except supplied with dual bridge option.
- Cable Assembly Optional; 10 ft, color coded, shielded, mating connector sensor end, customer supplied connector instrument end.
- Cable Assembly Optional; 10 ft, color coded, shielded, mating connector sensor end, leads stripped and tinned instrument end.

IMPORTANT NOTICE

Dimensions above are in inches unless otherwise noted. Manufacturer not responsible for any modification to product, fixtures, or accessories made by user or third party. User should request certified drawings before designing mountings or fixtures. Manufacturer reserves right to modify or change design, dimensions, specifications, and features of this product without prior written notice. Changes to NOTICE must be in writing and accepted by manufacturer.

SensorData Technologies Inc., 43626 Utica Road, Sterling Heights, MI 48314

Ph: (586) 739-4254 - Fax: (586) 739-5689 - E-mail: sensdata@aol.com - Web: www.sensordata.com