



- *Small diameter*
- *Deflection less than 0.002 inch*
- *Integral convex load button*
- *SAE 4340 alloy steel construction with satin nickel finish*
- *Supplied with mating connector*

The F200 is a canister style load cell used for press calibration; material testing; tank, bin and hopper weighing; and rolling and reduction mill applications. The overall diameter is less than 2.5 inches, and the overall height is 3.5 inches. The F200 includes an integral hardened steel convex load button. The F200 can be used with AC carrier and DC strain gage signal conditioning electronics. Interconnecting cable assemblies are available as an option. SensorData will provide in-house calibration of the F200 with customer-supplied electronics for a fee

### Specifications

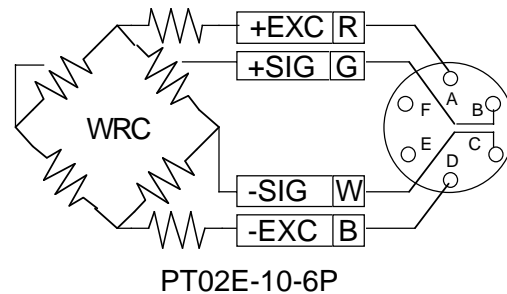
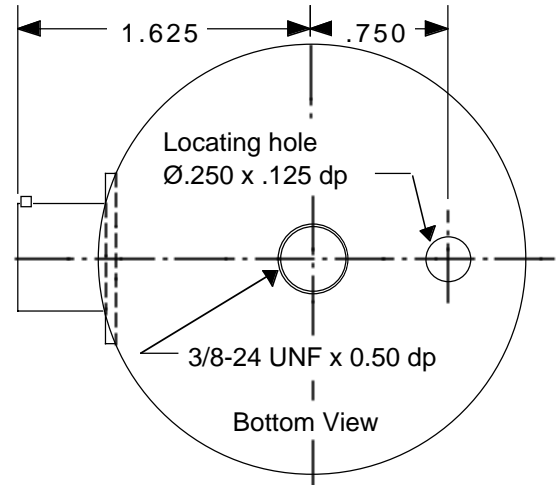
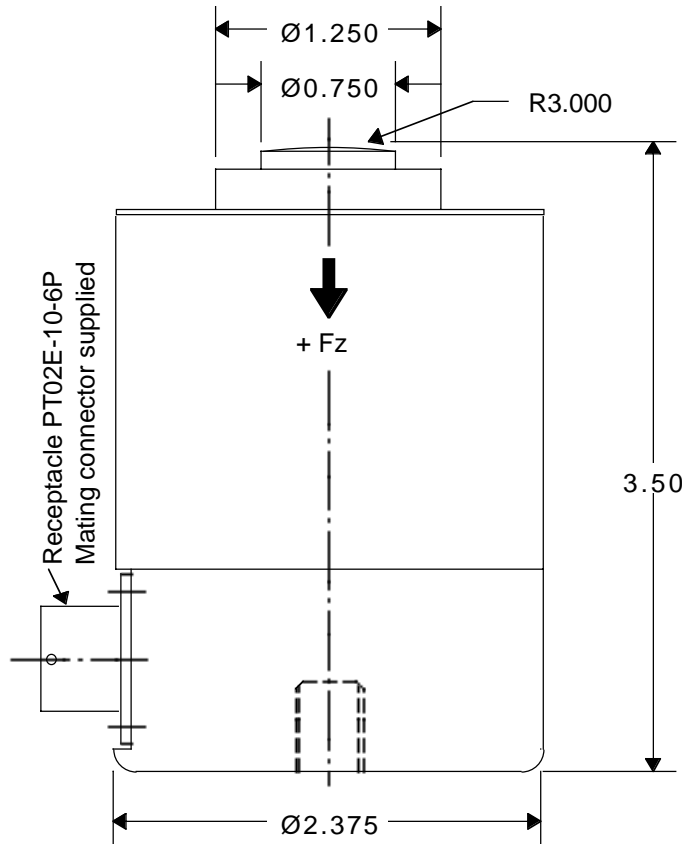
(Subject to change without notice)

Rated Capacity	5K, 10K, 20K, 50K lbs
Nonlinearity	0.15% of rated output
Hysteresis	0.10% of rated output
Nonrepeatability	0.03% of rated output
Rated Output, typical	2 mV/V
Zero Balance	+/-2% of rated output
Temperature Range, operating	-65 to +200 F
Temperature Range, compensated	+70 to +170 F
Temperature Effect on Output	0.002% of load/F
Temperature Effect on Zero	0.002% of rated output/F
Input Impedance, minimum	380 ohms
Output Impedance	350 +/-5 ohms
Excitation Voltage, typical	10 VDC or VAC rms
Excitation Voltage, maximum <sup>(1)</sup>	20 VDC or VAC rms
Insulation Resistance	>5000 megohms at 50 VDC
Maximum Load, safe <sup>(2)</sup>	150% of rated capacity
Maximum Load, ultimate <sup>(3)</sup>	300% of rated capacity
Deflection at Rated Capacity, typical	0.002 in
Number of Bridges	1
Weight	2 lb
Construction	SAE 4340 alloy steel with satin nickel finish

<sup>(1)</sup> Temperature gradients caused by higher excitation voltages may effect performance.

<sup>(2)</sup> With load centered, maximum load that can be applied without producing a permanent shift in performance characteristics.

<sup>(3)</sup> With load centered, maximum load that can be applied without physical damage.



**ORDERING INFORMATION**

- F200-STD-Capacity Standard, capacity 5K, 10K, 20K, 50K lb, and supplied with PT02E-10-6P receptacle and mating connector.
- Cable Assembly Optional; 10 ft, color coded, shielded, mating connector sensor end, customer supplied connector instrument end.
- Cable Assembly Optional; 10 ft, color coded, shielded, mating connector sensor end, leads stripped and tinned instrument end.

**IMPORTANT NOTICE**

Dimensions above are in inches unless otherwise noted. Manufacturer not responsible for any modification to product, fixtures, or accessories made by user or third party. User should request certified drawings before designing mountings or fixtures. Manufacturer reserves right to modify or change design, dimensions, specifications, and features of this product without prior written notice. Changes to NOTICE must be in writing and accepted by manufacturer.